

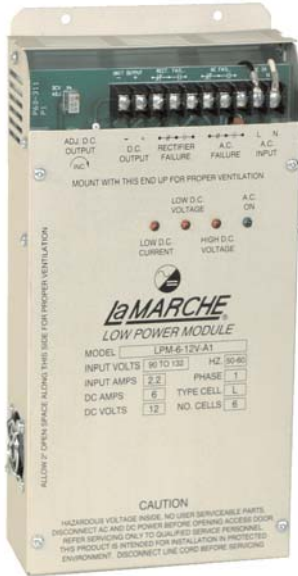


# laMARCHE®

ISO 9001:2000 CERTIFIED

**LPM**  
**LOW POWER MODULE**

## LPM Low Power Module



Model shown LPM-6-12V-A1

## 75 WATT LOW POWER MODULE RECTIFIER / POWER SUPPLY

The La Marche Low Power Module (LPM) is a 75 watt AC/DC switching rectifier. Its highly integrated layout makes it suitable for a wide range of applications such as wireless, VoIP, OEM, CCTV, security systems, railroad signal monitoring, etc. The LPM's small size makes it well suited for applications where low profile is critical and overall space is limited.

The LPM is designed to operate with an input voltage range of 90 to 132 VAC at 50 or 60 Hz. The output voltage is factory set at 13 VDC adjustable between 12.75 and 15 VDC. It accommodates an ambient temperature range of 0°C to 50°C.

### Standard Features

- Filtered DC Output  
Ripple & Noise: <120mVpp
- DC Voltage regulation
- Efficiency: Typical 80% @Maximum Output
- Adjustable DC Output Voltage 12.75 - 15 Vdc
- Short Circuit Protection
- 6' AC Line Cord with Plug
- Single Form "C" Contacts
  - AC Power Failure
  - Rectifier Failure
- LED Indicators
  - AC On
  - Low DC Voltage
  - High DC Voltage
  - Low DC Current
- Anodized Aluminum Housing
- Environmental:
  - Operating Temperature: 0 to 50°C (32 to 122°F)
  - Storage Temperature: -40 to 85°C (-40 to 185°F)
  - Relative Humidity: 0 to 95% Non-condensing
- AC Input 120V, 50/60Hz, Single Phase
- 1-year Warranty

The status and control functions include relays for AC power failure and rectifier failure, LED's for high DC voltage, low DC voltage, low DC current, and AC on.

**La Marche Manufacturing Company**  
106 Bradrock Drive, Des Plaines, IL 60018-1967  
Tel: 847-299-1188 Toll Free Fax: 1-888-232-9562  
sales@lamarchemfg.com www.lamarchemfg.com

Made in USA

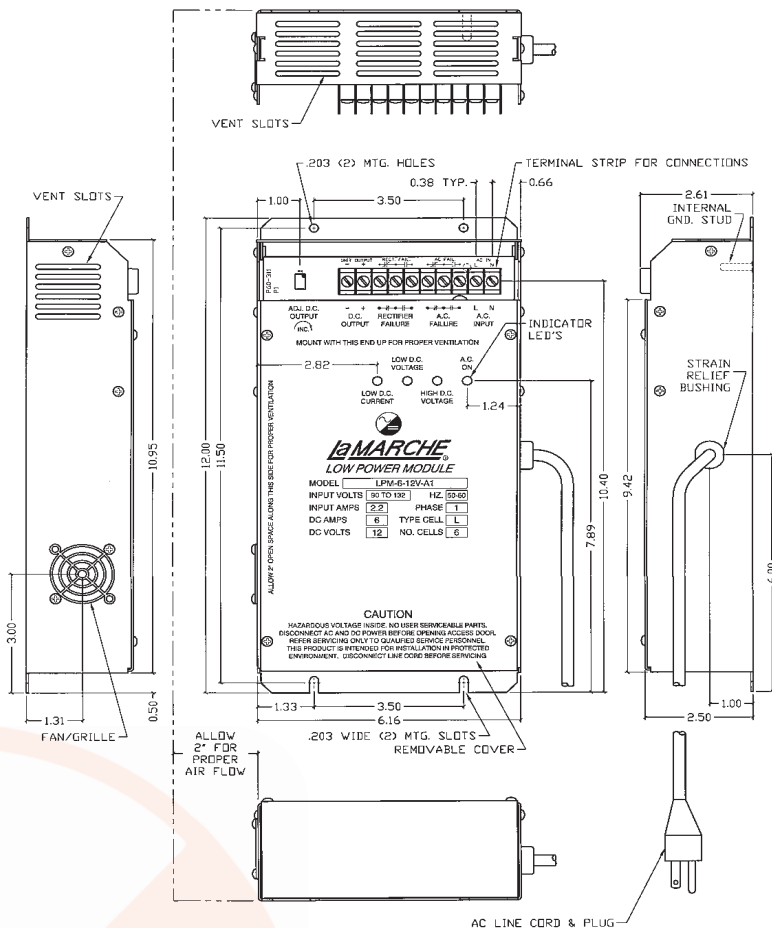
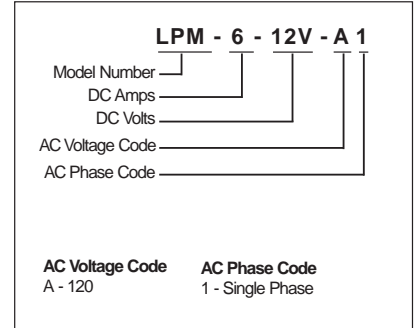
# LPM

## LOW POWER MODULE

### 75 WATT RECTIFIER / POWER SUPPLY

#### Model Number Nomenclature

Model Number	DC Output			AC Input Current Draw @100% (load)	Cable Entry (when facing unit)		Overall Dimensions W x D x H	Mounting	Shipping Weight (approx.)	
	Amps	Volts	Battery Cells (Lead Acid)		AC Input	DC Output			Lbs	Kgs
LPM-6-12V	6	12	6L	2.2	Top		6.16 x 2.61 x 12	Wall	2.14	0.97



Specifications subject to change without notice

P25-DSLPM-1  
 ECN 17160  
 09-06



ISO 9001:2000 CERTIFIED

106 Bradrock Drive, Des Plaines, IL 60018-1967  
 Tel: 847-299-1188 Toll Free Fax: 1-888-232-9562  
 sales@lamarchemfg.com www.lamarchemfg.com